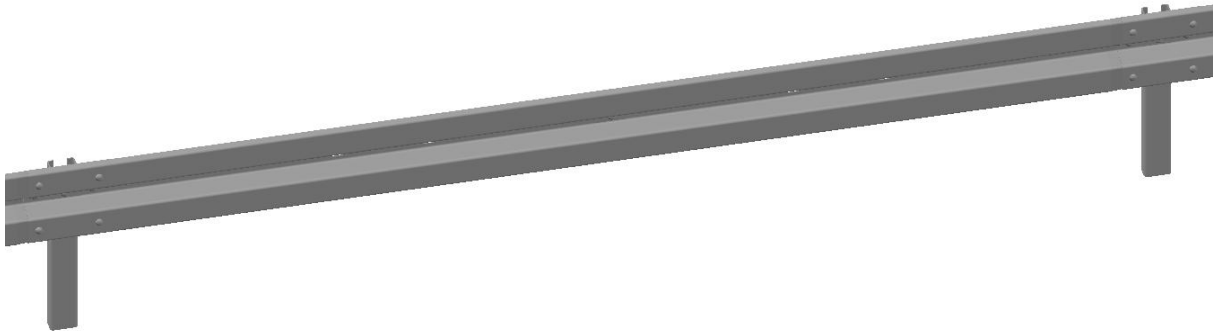
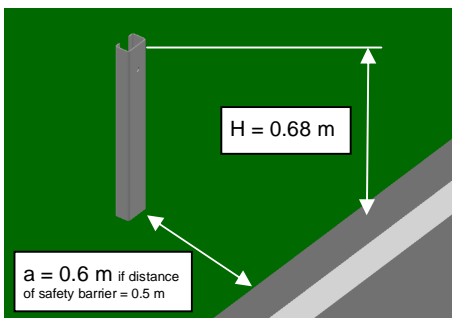


Passco N2-A-W4 (ES 4.0)



| Part no. | Number per section | Number per meter | Description |
|--------------|--------------------|-------------------|--|
| Pos. 1.1/1.2 | 1 pcs. | 0.25 pcs. | Safety barrier beam Passco, profile A/B |
| Pos. 2 | 1 pcs. | 0.5 pcs. | post C 100/60/25 |
| RAL010.00 | 1 pcs. | 0.5 pcs. | butt plate M16 |
| RAL040.00 | 8 / 6 pcs.* | 2 / 1.5 pcs.* | HRK bolt with nib M16x27 4.6 with nut |
| Pos. 3 | 1 pcs. | 0.5 pcs. | HRK bolt with nib M16x45 8.8 with nut |
| RAL040.30 | 9 / 7 pcs.* | 2.25 / 1.75 pcs.* | Flat washer 18 |

* 1. specification for profile A, 2. specification for profile B



Pile driving:

Edge distance of posts:

a = edge distance of safety bar. + 0.1 m
E.g. 0.5 m edge distance of safety barrier
-> a = 0.6 m

Height of Posts: H = 0.68 m +/- 0.03 m

Height of construction:
0.73 m +/- 0.03 m

Space between posts: PA = 4.00 m

Locate posts with closed end towards the carriageway.

Installation of safety barrier beam:

Connection of beam with post:

Per post 1 bolt M16x45-**8.8** / button-head (nib) with nut and flat washer 18.

Locate butt plate M16 under the bolt head at the side of the beam.
Nut and flat washer at the side of the post.

Connection of butt overlap of safety barrier beam:

Profile B:

Per butt 6 bolt M16x27-4.6 / button-head (nib) with nut and flat washer 18.

Profile A:

Per butt 8 bolt M16x27-4.6 / button-head (nib) with nut and flat washer 18.

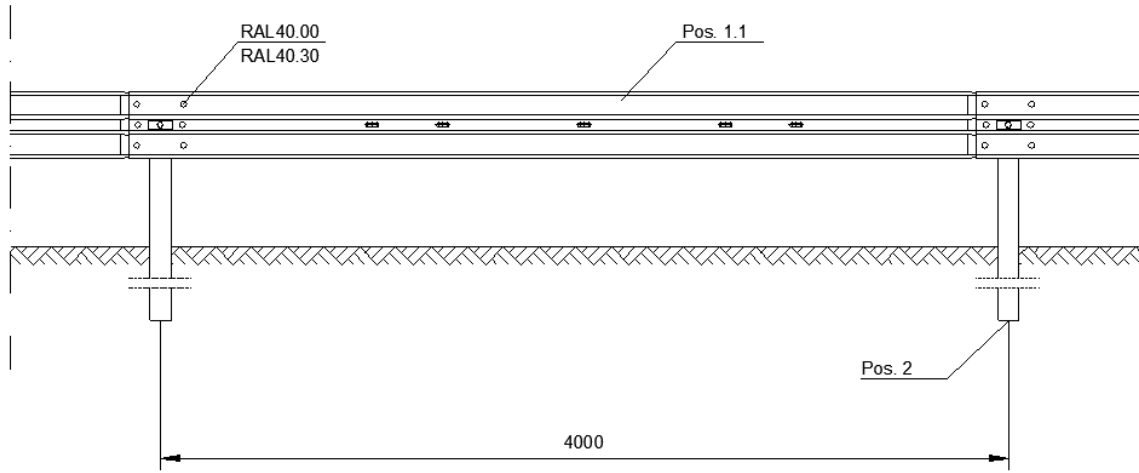
Front beam: drop-type hole

Back beam: round hole

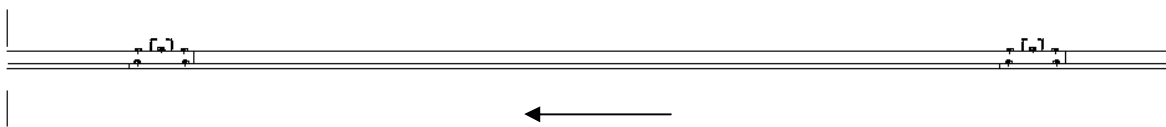
Overlap butts in driving direction

Torque of all bolts: min. 70 Nm.

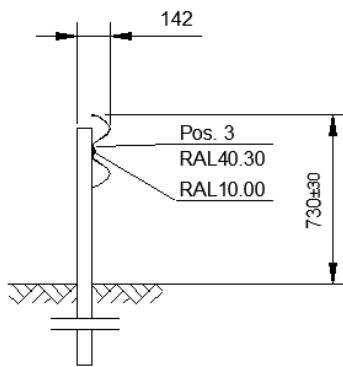




Analog installation of profile A. Part no. beam profile A: Pos. 1.2



Profil A :



Profil B :

